





3M
N95
Made in USA
X-127-122



3M
N95
Made in USA
X-127-122



3PE N95

Particulate Respirator

3PE N95 particulate respirator are designed to protect the wearer from airborne particles and from liquid contaminating the face. With 5-layer filter technology, the 3PE N95 Mask will allow you to breathe clean air in any environment.



Five-Layer of Protection



Bacteria Filtration



Skin-friendly Fabric

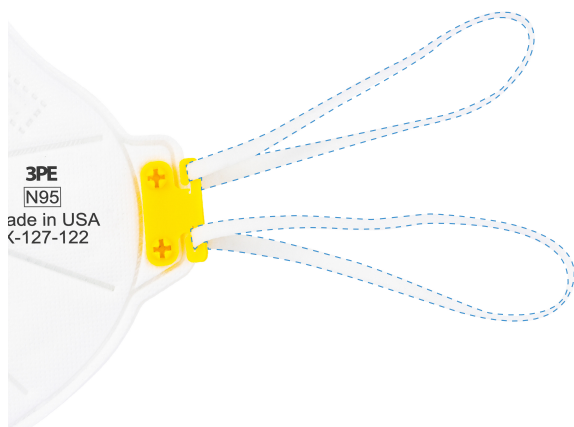
1

Adaptable nose clip



2

Adjustable soft straps



3

Non-woven fabric,
skin-friendly



4

3D curved design



Five-layer of protection

When you breathe with the mask on, air passes through five important layers of protection before it reaches your lungs. The 3PE N95 masks provide lightweight, effective, comfortable and hygienic respiratory protection against viruses, bacteria, pollen, PM2.5, spray, dust, and animal hair etc.



bacteria



pollen



PM2.5



spray



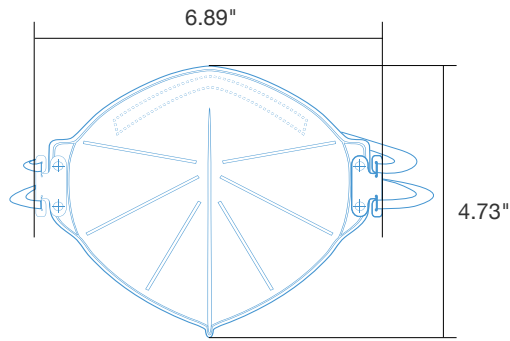
dust



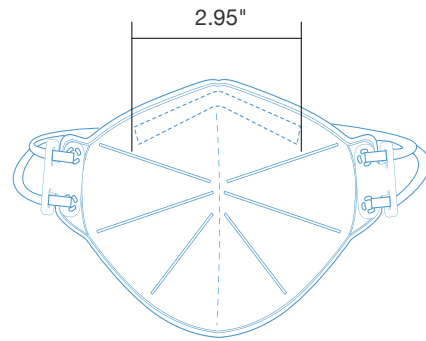
animal hair

PRODUCT INFO

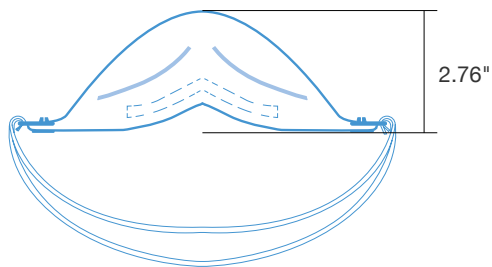
front



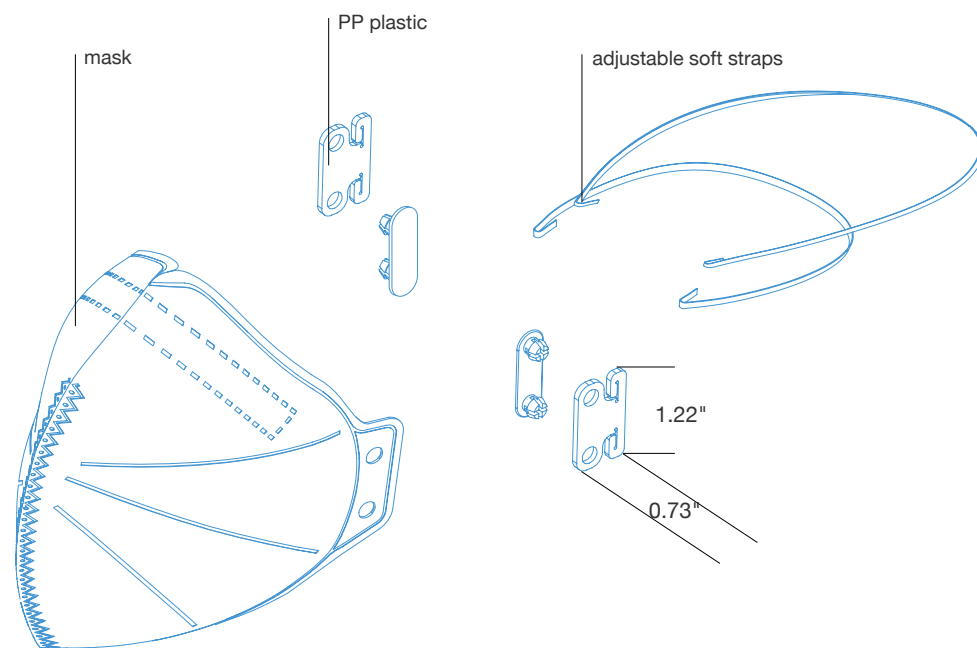
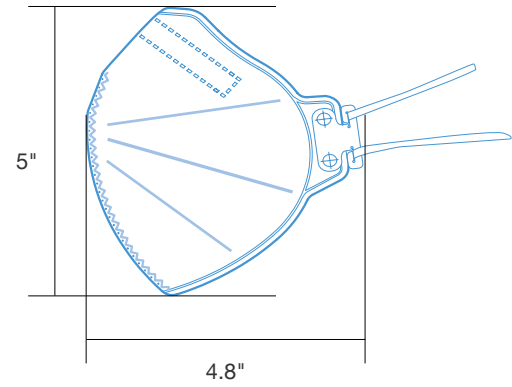
back



top



side



PRODUCT INFO

25 per box



24 packs / 600 pcs



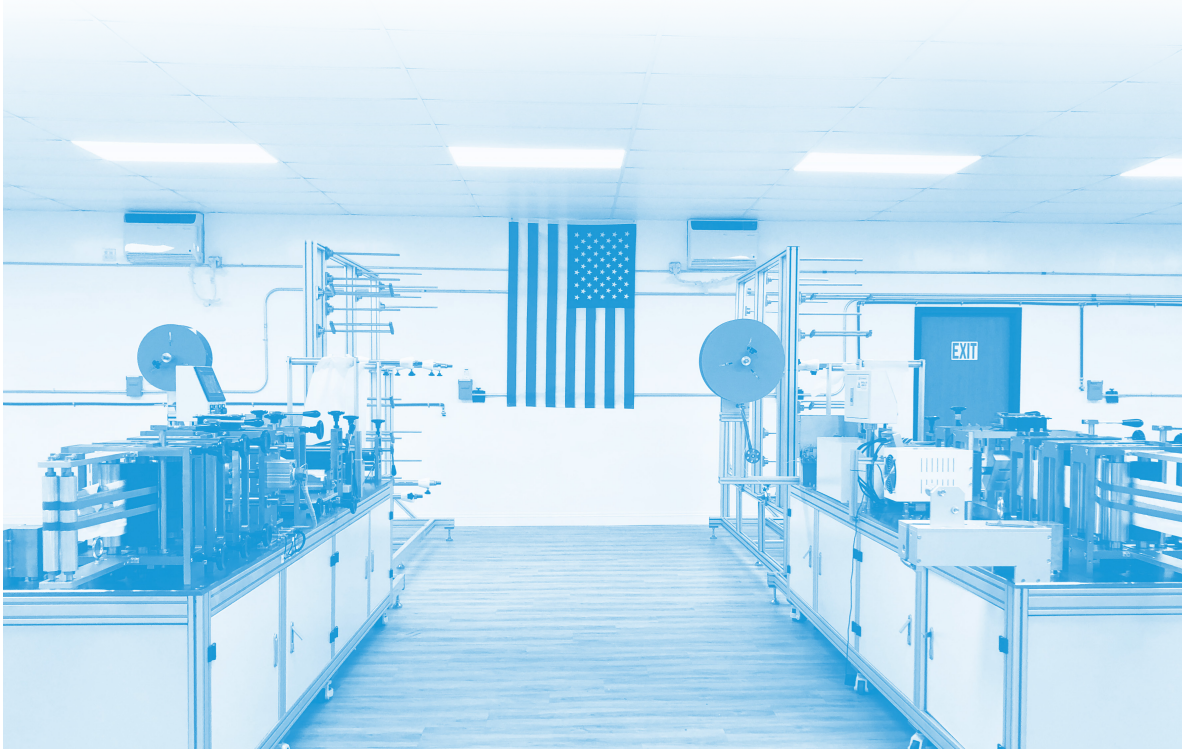
Pacific PPE Corporation (3PECO) stands on the front line against COVID-19 with American people.

The unexpected outbreak of the epidemic has changed the way we live and work around the world and caused considerable damage to our economy.

After seeing the extreme scarcity of respirators for medical services, we were determined to produce high-quality respirators in the United States. In just two months, we have sourced and secured the key equipment and raw materials essential to produce respirators and pinned the supply chain to Los Angeles, California.

Our phase-one production line was on since early June, and the estimated monthly output is 5 million pieces of N95 respirators, which will greatly alleviate the shortage of respirators in California and the United States.

Quality is our priority. From the initial production line design to manufacturing, the entire process is carried out in accordance with the relevant requirements of NIOSH. We will try our best to provide high-quality masks for the global market continuously.



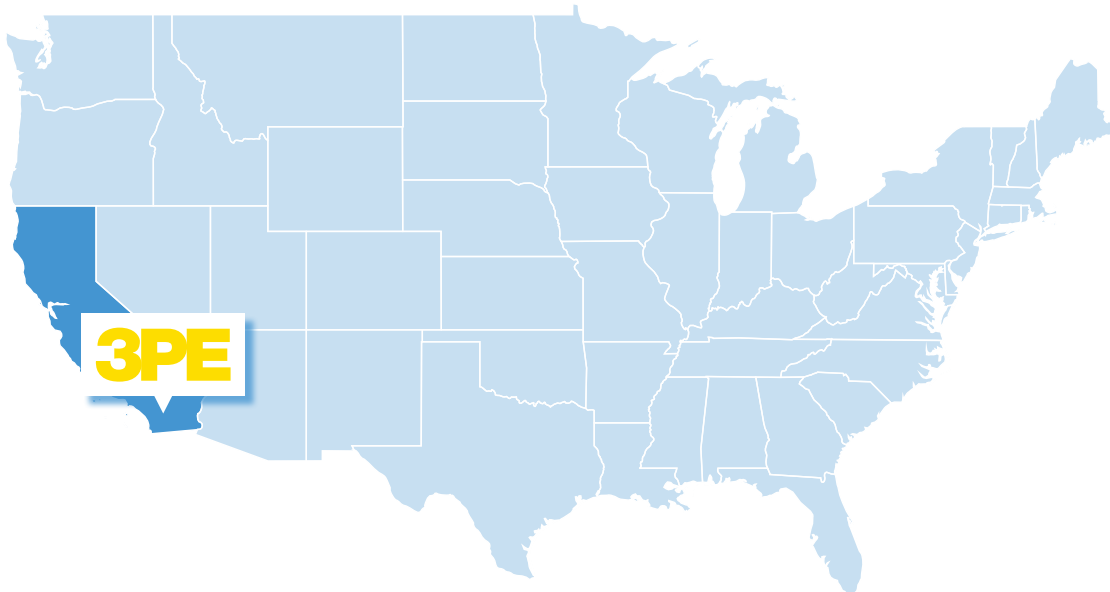
Pacific PPE Corporation

Founded by a group of manufacturing entrepreneurs in Los Angeles, Pacific PPE corporation (3PE) is dedicated to providing high quality personal protective equipment to help save lives.



Address:
2875 S Reservoir Street,
Pomona CA 91766

www.3peco.com



U.S. FOOD & DRUG ADMINISTRATION

Follow FDA | En Español **SEARCH**

Home | Food | **Drugs** | Medical Devices | Radiation-Emitting Products | Vaccines, Blood & Biologics | Animal & Veterinary | Cosmetics | Tobacco Products

Establishment Registration & Device Listing

FDA Home | Medical Devices | Databases

1 result found for **Establishment Registration** or FEI Number : 3016947235 New Search

Establishment Name	Registration Number	Current Registration Yr
PACIFIC PPE CORPORATION CA/USA	3016947235	2020
<ul style="list-style-type: none"> • Non-Niosh-Approved Disposable Filtering Facepiece Respirators (FFRs) - 3PE N95 RESPIRATOR 		Manufacturer

Can't find what you're looking for? [Try a new search](#)

Page Last Updated: 06/08/2020
 Note: If you need help accessing information in different file formats, see Instructions for Downloading Viewers and Players.
 Language Assistance Available: Español | 繁體中文 | Tiếng Việt | 한국어 | Tagalog | Русский | العربية | Kreyòl Ayisyen | Français | Polski | Português | Italiano | Deutsch | 日本語 | العربية | English

U.S. Food and Drug Administration | Combination Products | U.S. Department of Health & Human Services

FDA Establishment Registration & Device Listing

U.S. FOOD & DRUG ADMINISTRATION

Follow FDA | En Español **SEARCH**

Home | Food | **Drugs** | Medical Devices | Radiation-Emitting Products | Vaccines, Blood & Biologics | Animal & Veterinary | Cosmetics | Tobacco Products

Establishment Registration & Device Listing

FDA Home | Medical Devices | Databases

New Search Back To Search Results

Establishment:
 PACIFIC PPE CORPORATION
 2875 S Reservoir Street
 Pomona, CA 91766
Registration Number: 3016947235
FEI Number: 3016947235
 Status: Active
 Date Of Registration Status: 2020

Owner/Operator:
[Pacific PPE Corporation](#)
 2875 S Reservoir Street
 Pomona, CA US 91766
Owner/Operator Number: 10074873

Official Correspondent:
 Haofeng Xu
 2875 S Reservoir Street
 Pomona, CA 91766
 Phone: 1-818-9511818

* Firm Establishment Identifier (FEI) should be used for identification of entities within the imports message set

Page Last Updated: 06/08/2020
 Note: If you need help accessing information in different file formats, see Instructions for Downloading Viewers and Players.
 Language Assistance Available: Español | 繁體中文 | Tiếng Việt | 한국어 | Tagalog | Русский | العربية | Kreyòl Ayisyen | Français | Polski | Português | Italiano | Deutsch | 日本語 | العربية | English

FDA Establishment Registration & Device Listing